

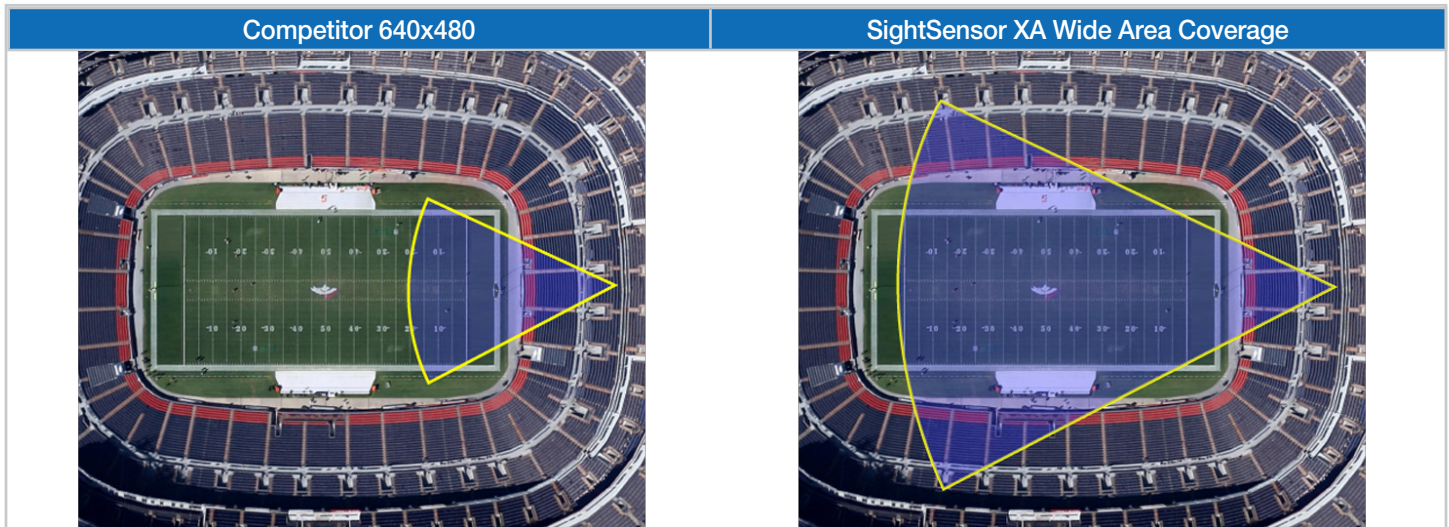
Wide-Area Outdoor Security Camera

Four Times the Area Coverage Over Any Other Solution

The SightSensor® XA smart thermal camera with video analytics detects intruders with high accuracy and low nuisance alerts over large outdoor areas, deterring crime, vandalism and disruptions day and night, under all conditions. With 640x480 wide-area coverage, the SightSensor XA applies “megapixel economics” to thermal security by replacing up to four standard thermal cameras, greatly reducing infrastructure costs for substations and utilities, rail, airports, energy chemical facilities and other critical assets.



Features	Benefits
Four times the coverage as competitive solutions	Lowest cost/meter for outdoor thermal intrusion detection
High-performance analytics accurately detect size, velocity and target location	Eliminates false and nuisance alarms
Precision Video Enhancement Technology	See crisp, clear thermal video detail - 24 hours/day, all seasons
Detects intruders while ignoring foliage, water, headlights, wind-blown objects	Increased accuracy while reducing nuisance alarms
Automatically adapts to the environment	No tuning or seasonal adjustments needed
Intruder locations displayed on site map in real time	Provides situational awareness over secured area
Seamless integration with third-party VMS, PSIM and C2 Systems	Open-system design to support wide-range of industry solutions
Stored Audio Message Output	Trigger audio message in response to alarm condition
Low power - 6 watts maximum (without heater in use)	Can operate on solar power to eliminate infrastructure and construction costs
Nitrogen pressurized enclosure (NEMA 4X)	Reliable performance and extended life in all weather and climates



Ordering Information

Part Number	Automated Detection Range of a Person*	FOV	Power
NS75XA-600	75m (246ft)	90°	24V AC/ DC PoE
NS100XA-600	100m (328ft)	70°	
NS145XA-600	145m (476ft)	50°	
NS195XA-600	195m (640ft)	37.5°	

*Detection ranges for person walking toward camera - the most difficult scenario

*How Automated Detection Range is Measured



Accessories

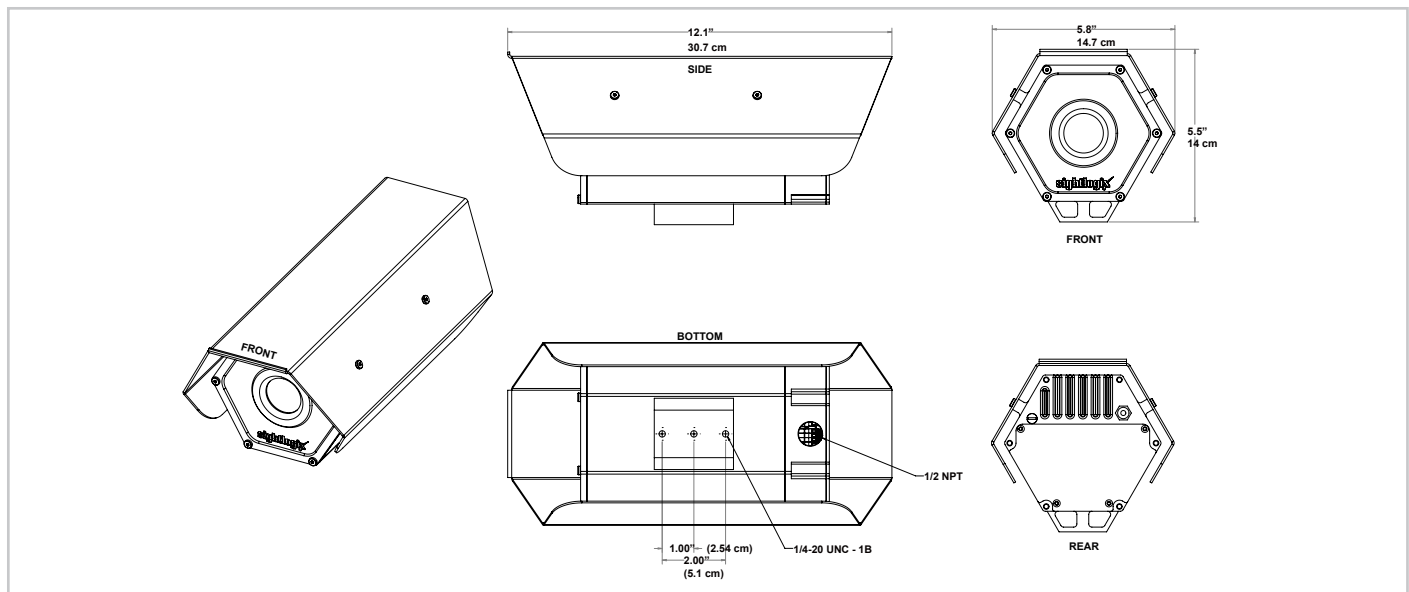
Mounts – Refer to the *SightLogix Accessories Datasheet*.

SightMonitor – GPS-based target display and coordination software. Refer to the *SightLogix SightMonitor® Datasheet*.

SightTracker – Automatic PTZ controller. Refer to the *SightLogix SightTracker™ Datasheet*.

Specifications

Imager		Network	
Detector	Un-cooled VOx Microbolometer	Ethernet Wired	10/100 RJ45, IEEE 802.3, 802.3i, 802.3u
Spectral Response:	8-14 micron	Data Rate	64 kbps to 8 Mbps
Picture Elements	640 (H) x 480 (V) Lens (fixed)	Operating Mode	100 Mbps - Full-duplex, Half-duplex 10 Mbps - Half-duplex only
Lens / Field of Views	Fixed focus: 90°, 70°, 50°, 37.5°	Protocols	ONVIF, DHCP, IPv4, HTTP, HTTPS, SSL, SLP, DNS, NTP, RTSP, RTP, TCP, UDP, IGMP, RTCP, ICMP, ARP
Dynamic Range	14 bit digital sensor interface	Configuration	SightMonitor or Web browser (using default IP address)
Thermal Sensitivity f/1.0	< 50 mK at room temperature	Target Tracking Output	
Video Output		Communications	Metadata via industry standard XML over a HTTP/HTTPS interface for 3rd-party integration
Compression Type:	H.264, MPEG-4 (Simple Profile), MJPEG	Tracked object parameters	Current time, alarm state, creation time, GPS position, size, heading, speed, aspect ratio, and alarm zone
Resolution	640x480	SightTracker (optional)	Provides detected targets' GPS coordinates to automatically position PTZ cameras for continual tracking
Frame Rate	Up to 15 frames per second; user configurable	Electrical	
Voltage:	24 VAC/DC +/- 10% or PoE IEEE 802.11af (Window Heater use requires 24 VAC/DC)	I/O Connectors	RJ45 (Ethernet), RS422/RS232, RS485, SMB (video out), terminal blocks for power, audio out/in, relay out, dry contact in
Audio	Audio In: Unbalanced microphone input Audio Out: Balanced line output	Power:	7 watts max (+20W for Window Heater for severe icing conditions)



Camera Enclosure		Environmental	
Weight:	2.3 kg (5 lbs.)	Operating Temperature	-30° to +60°C (-22° to +140°F) -
Dimensions:	30.7 cm L x 14.7 cm W x 14.0 cm H (12.1 L" x 5.8 W" x 5.5 H")	Storage Temperature	-40° to +80°C (-40° to 176°F)
Enclosure:	NEMA 4X (IP67 Rated)	Relative Humidity:	0 to 100%
Nitrogen purge pressure	6 psi	Safety Compliance:	FCC Part 15, Class A CE
Mounting:	3 x 1/4-20 UNC bolts		

Specifications are subject to change without notice.
© SightLogix, Inc. SightLogix, SightSensor and SightMonitor are registered trademarks of SightLogix, Inc.